

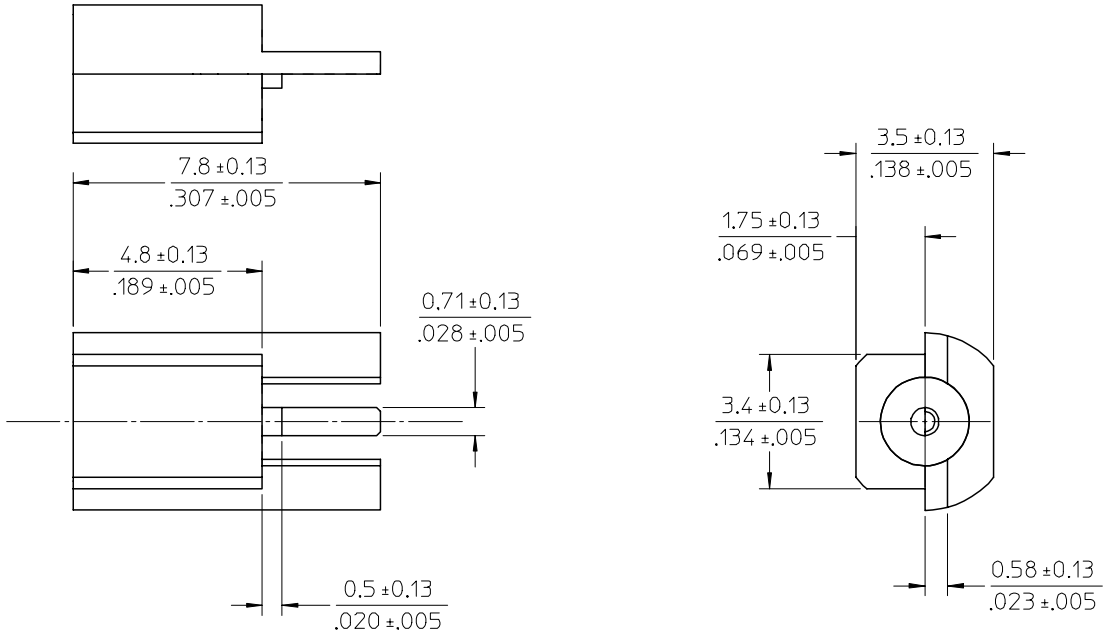
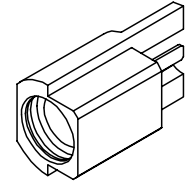
10 9 8 7 6 5 4 3 2 1

MATERIALS AND FINISHES

BODY
BRASS
PLATED GOLD

CENTER CONTACT
BERYLLIUM COPPER
PLATED GOLD

INSULATOR
TEFLON



| | | |
|---|-------------------|--------------------------|
| 2 | ES-7599-0000-0160 | INTERFACE |
| 1 | PS-89675-1910 | ELECTRO/MECH PERFORMANCE |
| | PART | DESCRIPTION |

| | | | |
|---|------------|----------------------------|--------------------------|
| 3 | 73415-1262 | PER COMMERCIAL REQUIREMENT | TAPE & REEL(SEE SHEET 2) |
| 2 | 73415-1261 | PER COMMERCIAL REQUIREMENT | TRAY |
| 1 | 73415-1260 | PER MILITARY REQUIREMENTS | TRAY |
| | PART | PLATING | PACKAGE |

| | | | | | | |
|---|-----------------|--|---|--|--------------|------------------------|
| CHG:ADD 734151262 WITH TAP & REEL EC No: JRF 2005-0768 DRAWN: JSAO 2005/05/09 CHKD: 2005/05/09 APPR: MIUANG 2005/05/09 | QUALITY SYMBOLS | GENERAL TOLERANCES (UNLESS SPECIFIED) | DIMENSION STYLE | SCALE | DESIGN UNITS | THIRD ANGLE PROJECTION |
| | ▽=0 ∇=0 | 4 PLACES ± --- ± --- 3 PLACES ± --- ± --- 2 PLACES ± 0.15 ± --- 1 PLACE ± 0.25 ± --- ANGULAR ± 2 ° | MM/IN | 1:1 | METRIC | |
| | DESCRIPTION | DRAWN BY | DATE | TITLE | | |
| | REV | JOHN | 2005/02/14 | MMCX JACK EDGE LAUNCHER MMCX-J/PCB | | |
| | APPROVED BY | DATE | MOLEX INCORPORATED | | | |
| | MISEN | 2005/02/14 | MATERIAL NO. | | | |
| | | | DOCUMENT NO. | | | |
| | | | SD-73415-126 | | | |
| | | | SHEET NO. | | | |
| | | | 1 OF 2 | | | |
| | | | DRAFT WHERE APPLICABLE MUST REMAIN WITHIN DIMENSIONS | | | |
| | | | SEE TABLE | | | |
| | | | THIS DRAWING CONTAINS INFORMATION THAT IS PROPRIETARY TO MOLEX INCORPORATED AND SHOULD NOT BE USED WITHOUT WRITTEN PERMISSION | | | |

9 8 7 6 5 4 3 2 1

10 9 8 7 6 5 4 3 2 1

F

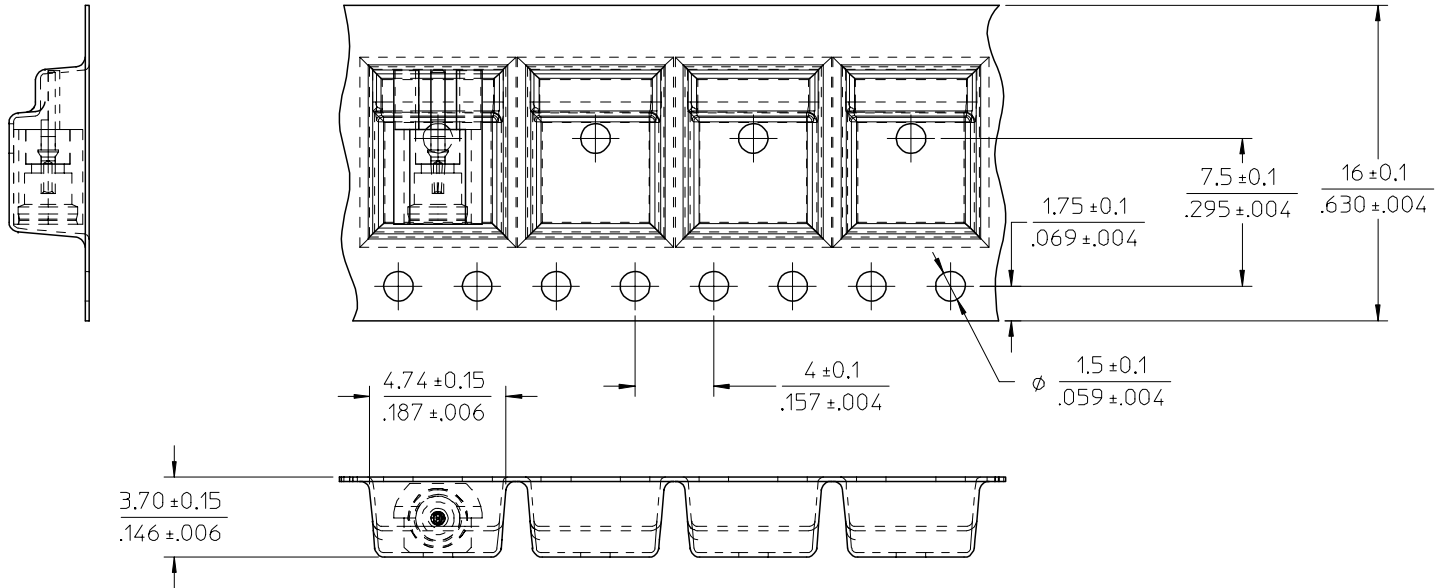
E

D

C

B

A

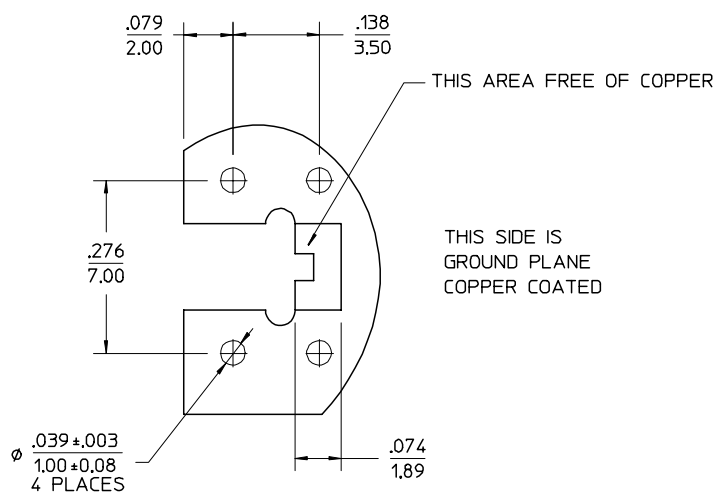
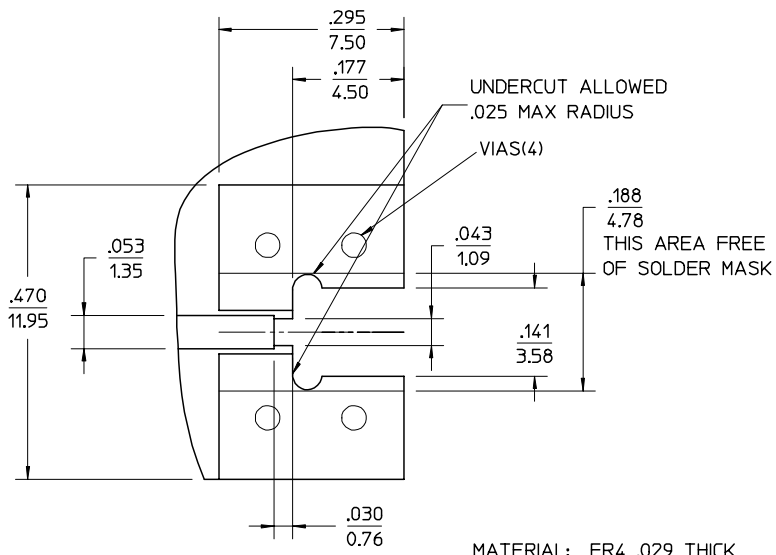


NOTES:

- 1500 CONNECTORS PER REEL ON 330mm(13 inch) REEL. 16mm TAPE, 8mm CAVITY PITCH.
- 10 PITCHS CUMULATIVE TOLERANCE $\pm 2.20(.008)$
- PART NO. 73415-1262

| | | | | | | | | |
|--|-------------------------------|--|----------------------|--------------------------|---|------------------------|------------------------------|---------------------|
| CHG:ADD 734151262 WITH TAP & REEL EC No: JRF 2005-0768 DRAWN: JTSAO 2005/05/09 CHKD: 2005/05/09 APPR: MIUANG 2005/05/09 | QUALITY SYMBOLS ▽=0 ▽=0 | GENERAL TOLERANCES (UNLESS SPECIFIED) | | DIMENSION STYLE MM/IN | SCALE 1:1 | DESIGN UNITS METRIC | THIRD ANGLE PROJECTION | |
| | | 4 PLACES ± --- ± --- | 3 PLACES ± --- ± --- | 2 PLACES ± 0.15 ± --- | 1 PLACE ± 0.25 ± --- | ANGULAR ± 2 ° | DRAWN BY JOHN | DATE 2005/02/14 |
| C2 | DESCRIPTION | DRAFT WHERE APPLICABLE MUST REMAIN WITHIN DIMENSIONS | | SEE SHEET 1 | APPROVED BY MISEN | DATE 2005/02/14 | DOCUMENT NO. SD-73415-126 | SHEET NO. 2 OF 2 |
| | | MATERIAL NO. | | SIZE A3 | THIS DRAWING CONTAINS INFORMATION THAT IS PROPRIETARY TO MOLEX INCORPORATED AND SHOULD NOT BE USED WITHOUT WRITTEN PERMISSION | | MOLEX MOLEX INCORPORATED | |

9 8 7 6 5 4 3 2 1



MATERIAL: FR4 .029 THICK

| | | | | | | | | |
|--|-------------------------|---|--|---------------------------|------------------------------|--|------------------------|--|
| ENTER DESCRIPTION EC NO: URF2005-0275 DRAWN: JSAO 2005/01/24 CHKD: JOHNSON 2005/01/27 APPR: MUANG 2005/01/27 | QUALITY SYMBOLS | GENERAL TOLERANCES (UNLESS SPECIFIED) | | DIMENSION STYLE IN/MM | SCALE --- | DESIGN UNITS METRIC | THIRD ANGLE PROJECTION | |
| | | | | DRAWN BY JOHN | DATE 2004/10/04 | TITLE MMCX JACK, EDGE LAUNCHER MMCX-J/PCB | | |
| | | | | CHECKED BY PAT | DATE 2004/10/04 | APPROVED BY MISEN | | |
| | | | | APPROVED BY MISEN | DATE 2004/10/04 | MOLEX INCORPORATED | | |
| | | DRAFT WHERE APPLICABLE MUST REMAIN WITHIN DIMENSIONS | | MATERIAL NO. SEE TABLE | DOCUMENT NO. SD-73415-126 | SHEET NO. 2 OF 02 | | |
| C1 | REV | THIS DRAWING CONTAINS INFORMATION THAT IS PROPRIETARY TO MOLEX INCORPORATED AND SHOULD NOT BE USED WITHOUT WRITTEN PERMISSION | | | | | | |